

®

# CS2000EKF Hall-effect Current Sensor Series

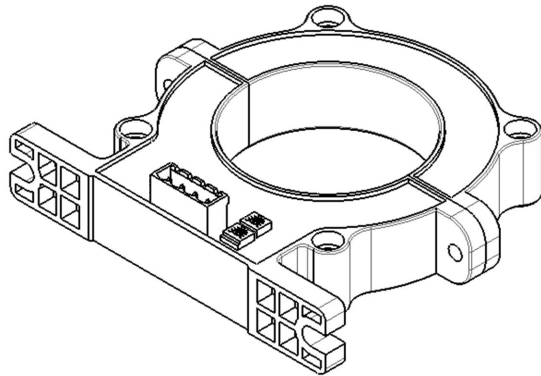
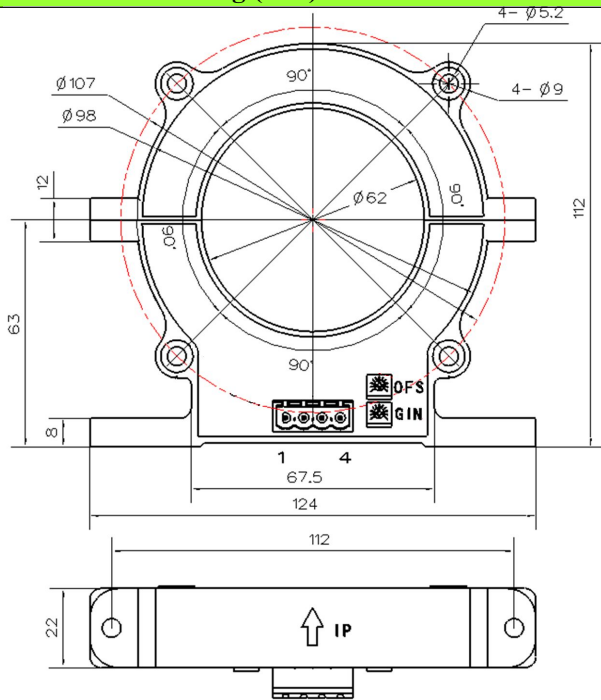


Open loop current sensor based on the principle of Hall-effect. It can be used for measuring AC,DC,pulsed and mixed current.

## Electrical characteristics

Type	CS300EKF	CS500EKF	CS800EKF	CS1000EKF	CS2000EKF	
<b>I<sub>PN</sub></b> Primary nominal input current	300	500	800	1000	2000	A
<b>I<sub>P</sub></b> Measuring range of primary current	0~±600	0~±1000	0~±1600	0~±2000	0~±3000	A
<b>V<sub>OUT</sub></b> Nominal output voltage	4±1%					V
<b>V<sub>C</sub></b> Supply voltage	±15(±5%)					V
<b>I<sub>C</sub></b> Current consumption	V <sub>C</sub> =±15V	<35				mA
<b>V<sub>D</sub></b> Insulation voltage	AC/50Hz/1min		5			kV
<b>ε<sub>L</sub></b> Linearity	<1					%FS
<b>V<sub>O</sub></b> Offset voltage	T <sub>A</sub> =25℃		<±25			mV
<b>V<sub>OM</sub></b> Residual voltage	I <sub>PN</sub> →0		<±30			mV
<b>V<sub>OT</sub></b> Thermal drift of V <sub>0</sub>	I <sub>P</sub> =0 T <sub>A</sub> =-25~+85℃		<±1			mV/℃
<b>T<sub>R</sub></b> Response time	<7					μs
<b>f</b> Frequency bandwidth(-3dB)	DC~3					kHz
<b>T<sub>A</sub></b> Ambient operating temperature	-25~+85					℃
<b>T<sub>S</sub></b> Ambient storage temperature	-40~+100					℃
<b>R<sub>L</sub></b> Load resistance	≥10					KΩ
<b>m</b> Mass	500					g
Standard	Q/320115QHKJ01-2013					

## Dimensions of drawing (mm)



Elucidation: 1:+15V 2:-15V 3: V<sub>OUT</sub> 4:0V(GND) OFS:Zero adjustment GIN:Gain adjustment

## Remarks

- Incorrect connection may lead to the damage of the sensor.
- V<sub>OUT</sub> is positive when the I<sub>P</sub> flows in the direction of the arrow.