



®

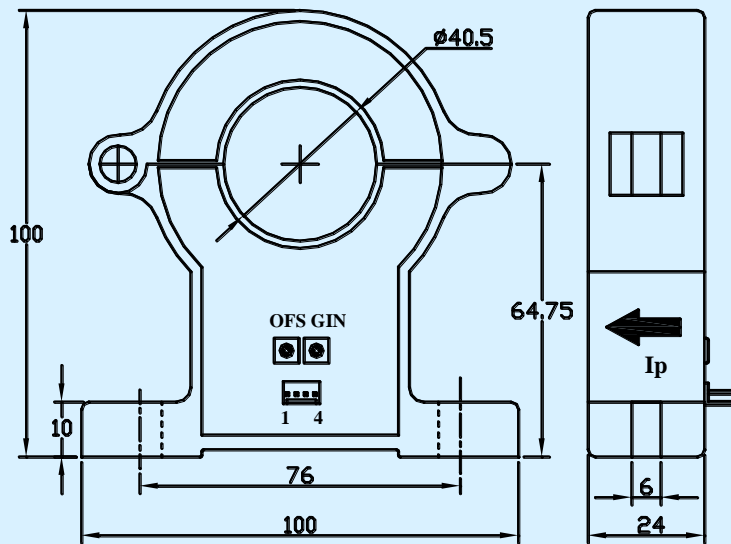
# CS2000EK2 Hall-effect Current Sensor Series



Open loop current sensor based on the principle of Hall-effect. It can be used for measuring AC,DC,pulsed and mixed current.

Electrical characteristics								
	Type	CS300EK2	CS400EK2	CS600EK2	CS800EK2	CS1000EK2	CS2000EK2	
$I_{PN}$	Primary nominal input current	300	400	600	800	1000	2000	A
$I_P$	Measuring range of primary current	0~±600	0~±800	0~±1200	0~±1600	0~±2000	0~±3000	A
$V_{OUT}$	Nominal output voltage	4±1%						V
$V_C$	Supply voltage	±12~±15(±5%)						V
$I_C$	Current consumption	$V_C=±15V$		<25			mA	
$V_D$	Insulation voltage	AC/50Hz/1min		5			kV	
$\epsilon_L$	Linearity	<1						%FS
$V_O$	Offset voltage	$T_A=25^\circ C$		<±25			mV	
$V_{OM}$	Residual voltage	$I_{PN} \rightarrow 0$		<±25			mV	
$V_{OT}$	Thermal drift of $V_O$	$I_P=0$ $T_A=-25\sim+85^\circ C$		<±1			mV/°C	
$T_R$	Response time	≤7						μs
f	Frequency bandwidth(-3dB)	DC~20						kHz
$T_A$	Ambient operating temperature	-25~+85						°C
$T_S$	Ambient storage temperature	-40~+100						°C
$R_L$	Load resistance	≥10						KΩ
	Standard	Q/3201CHGL02-2007						

## Dimensions of drawing (mm)



Elucidation: 1:+15V 2:-15V 3: $V_{OUT}$  4:0V(GND) OFS:Zero adjustment GIN:Gain adjustment  
( Red:+15V Blue:-15V Yellow: $V_{OUT}$  Black:0V )

## Remarks

Incorrect connection may lead to the damage of the sensor.  
 $V_{OUT}$  is positive when the  $I_P$  flows in the direction of the arrow.